

322 D 7948

THIRD ANGLE PROJECTION

DIMENSIONS IN INCHES UNLESS OTHERWISE STATED

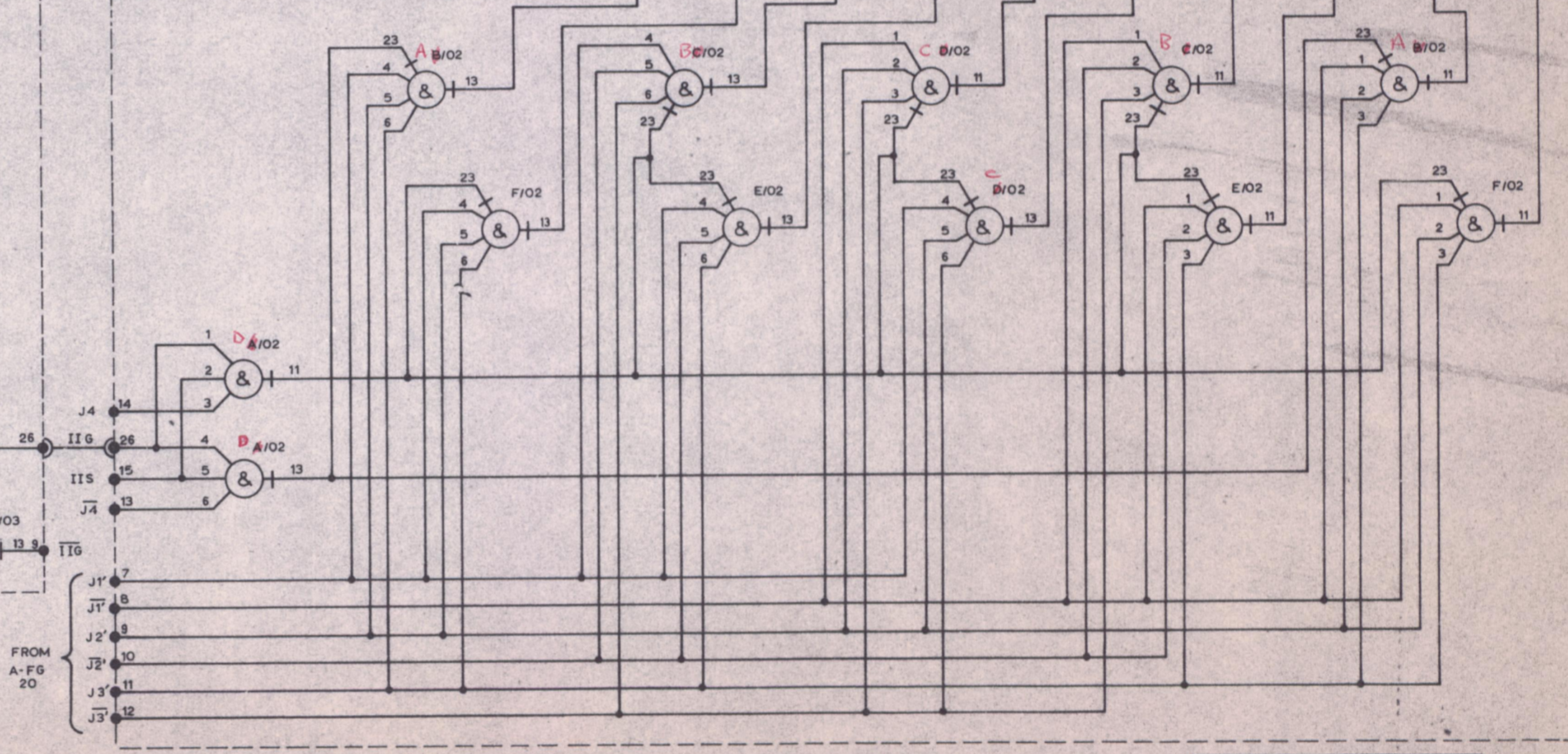
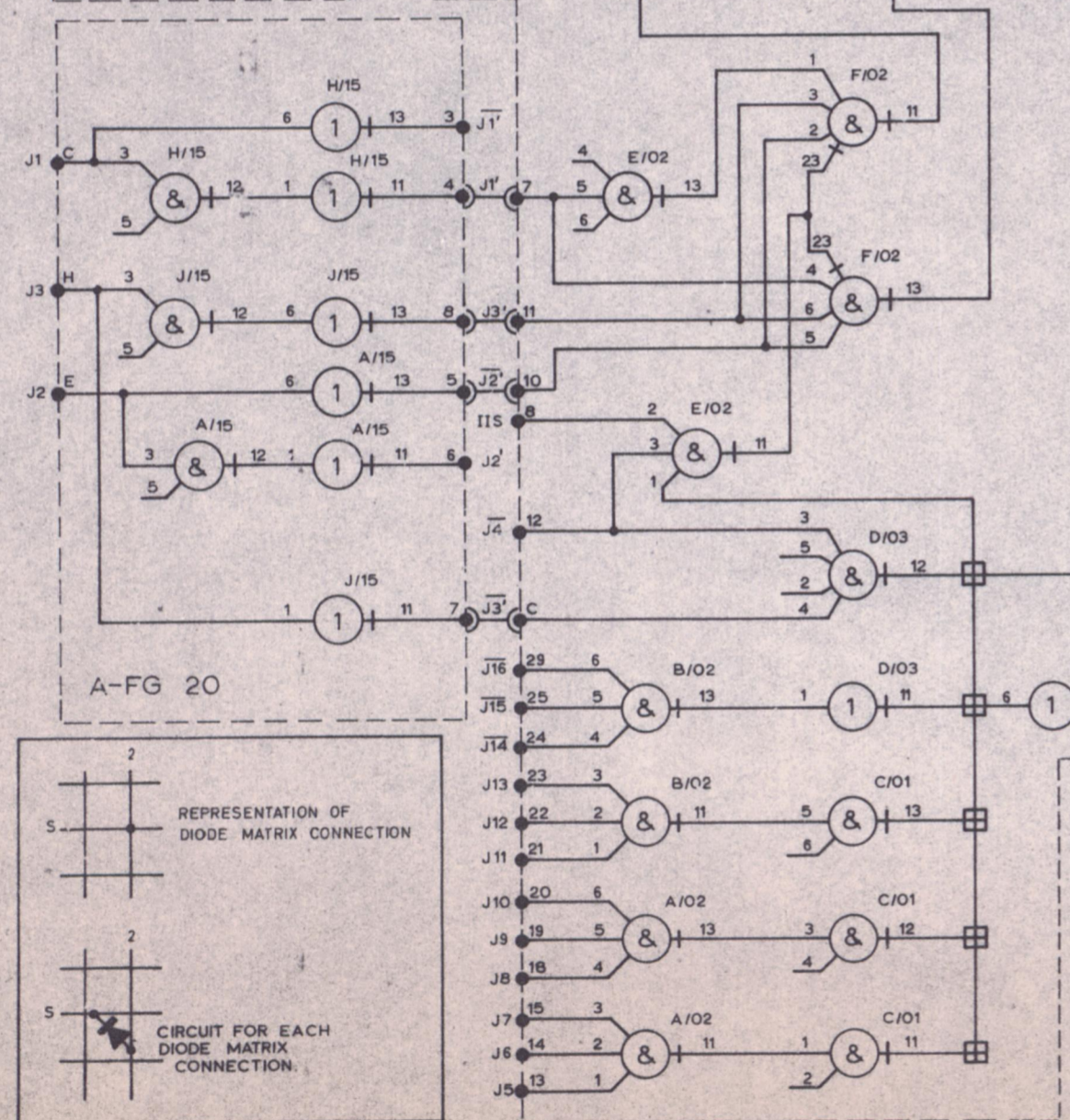
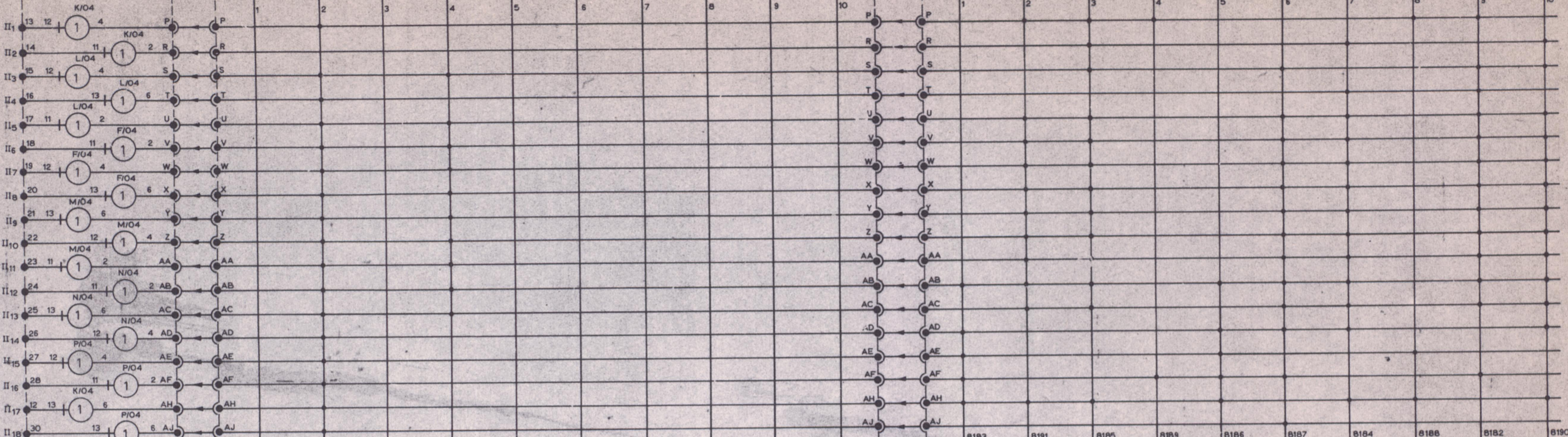
DO NOT SCALE DRAWING

A-GL 35

A-FB 34

A-GK 36

USED ON A7201



TO BE READ INCONJUNCTION WITH 322A7191

920B COMPUTER INITIAL INSTRUCTIONS

A17

LATEST MI INCORPORATED. MI. ~~2998~~ 2998

ISSUE No.	1	MATERIAL	FINISH	ELLIOTT BROTHERS (LONDON) LTD
ALT ⁿ No.	1681	TOLERANCES DECIMAL FRACTIONAL ANGULAR DIMENSIONS UNLESS OTHERWISE STATED		TITLE
DATE	2/10/56	SCALE		920B COMPUTER INITIAL INSTRUCTIONS
INITIALS	LJE	DRAWN BY L. JEVERETT		DRAWING No. 322 D 7948
PARTS LIST No.		CHECKED BY CS 249	APPROVED DATE 4/11/56	